

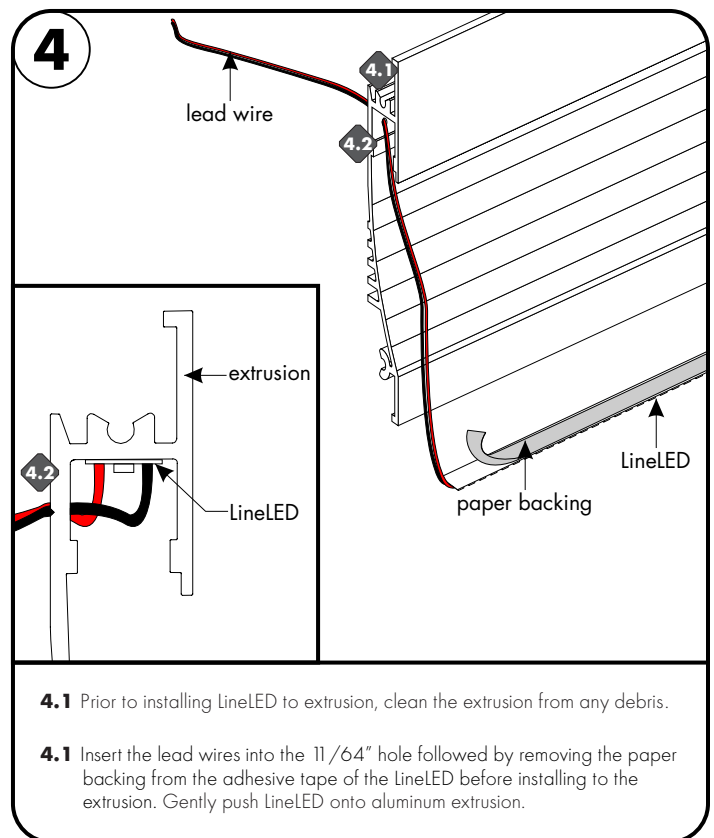
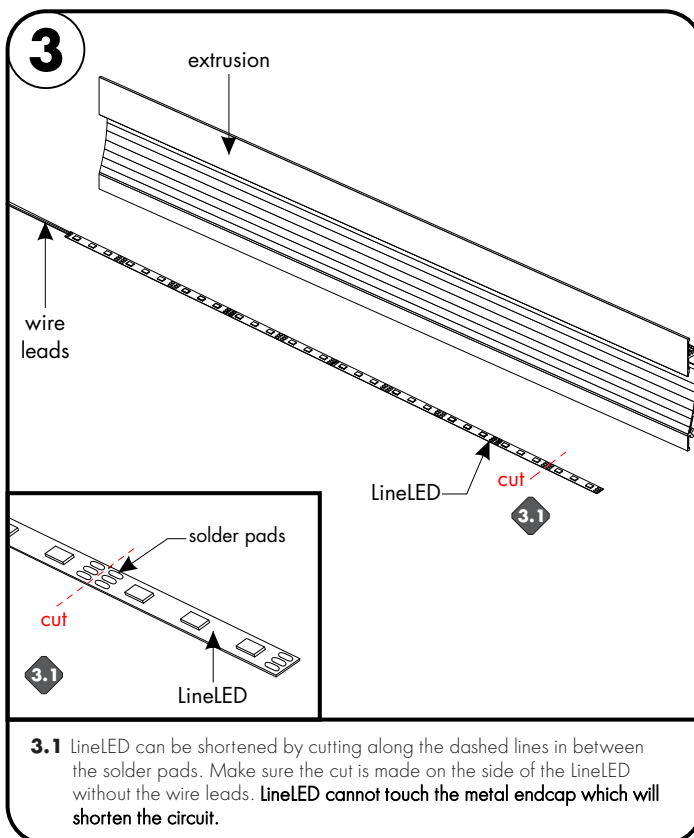
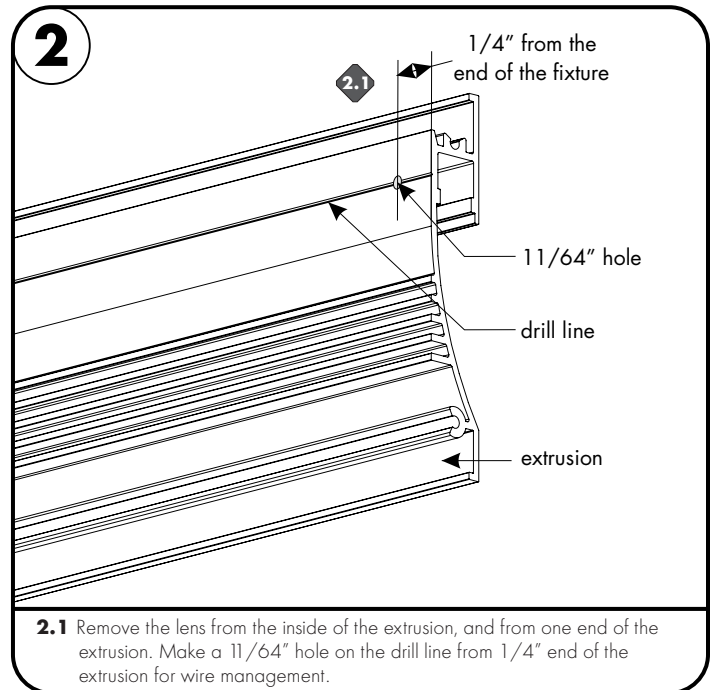
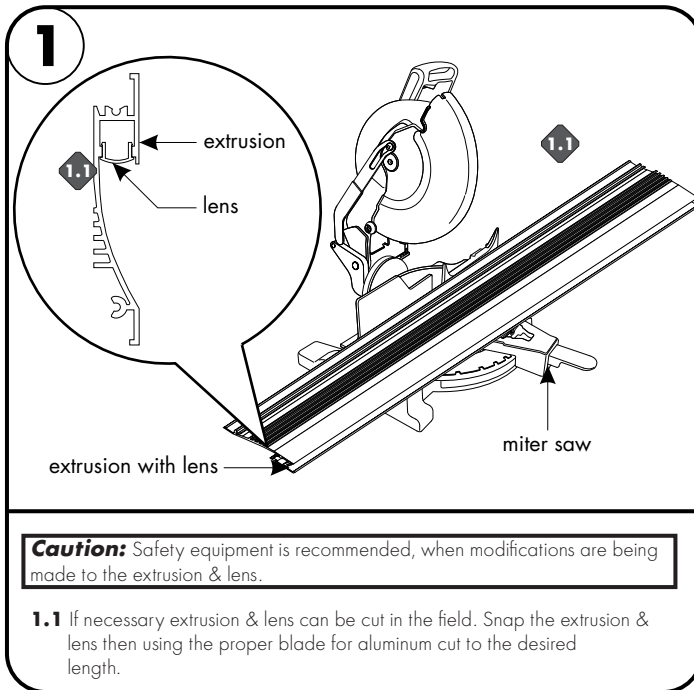
Wall + Channel extrusion - Installation Instructions

Models WPC-XX

Please read all instructions prior to installation and keep for future reference!

1. Product to be installed by a qualified electrician.
2. Prior to installation ensure power is off at fuse box to prevent electrical shock.

Page 1 of 3



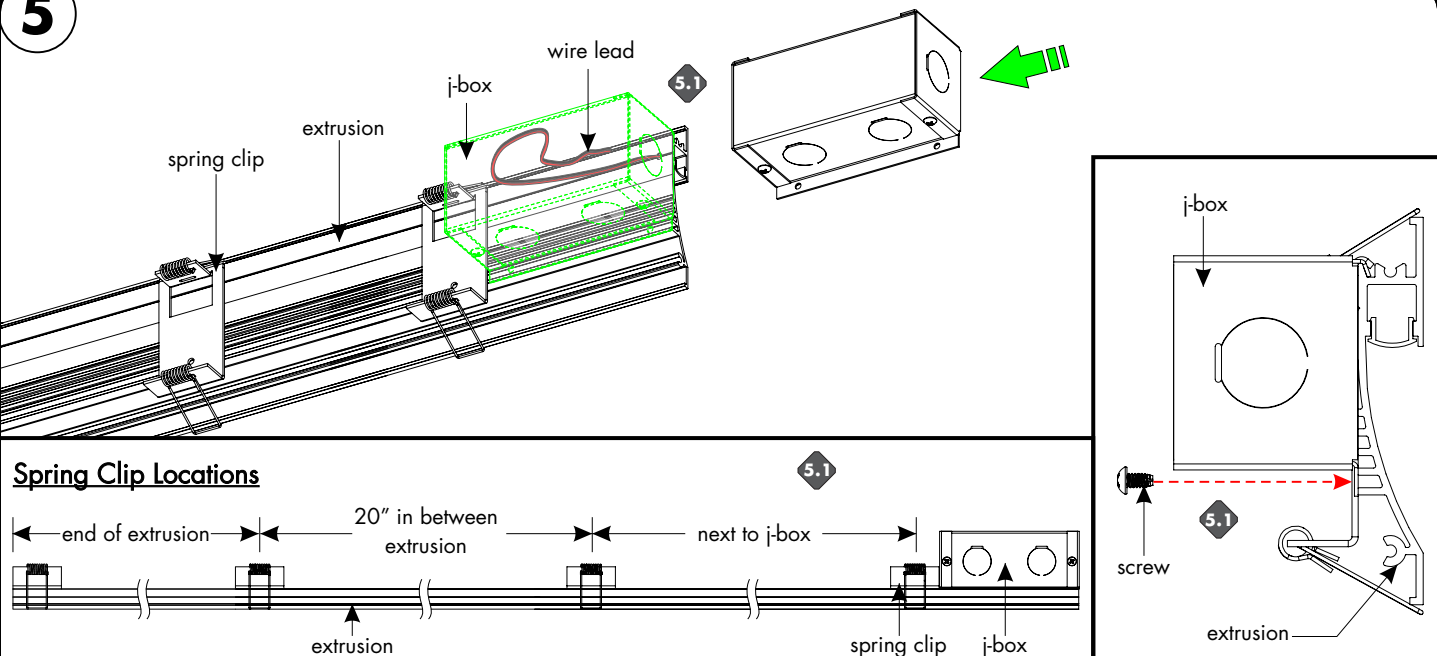
Wall + Channel extrusion - Installation Instructions

Models WPC-XX

Please read all instructions prior to installation and keep for future reference!

1. Product to be installed by a qualified electrician.
2. Prior to installation ensure power is off at fuse box to prevent electrical shock.

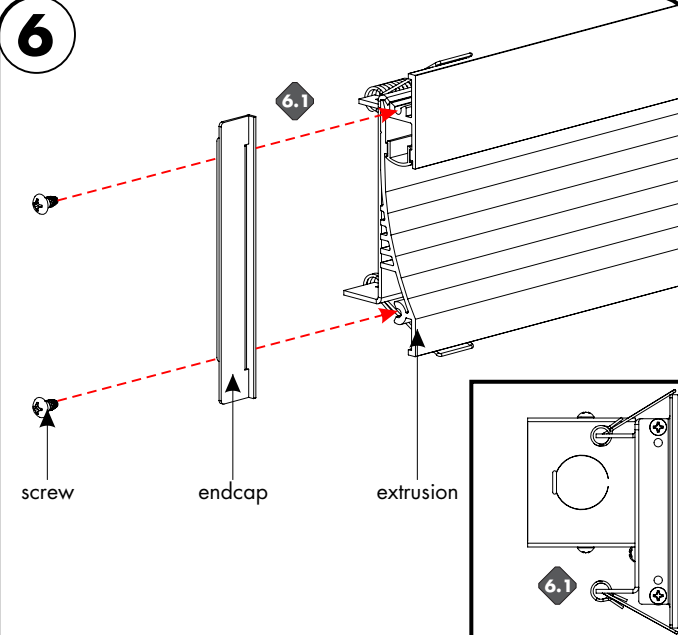
5



5.1 Optional, if using the electrical box: insert & slide the j-box into the side of the extrusion with the lead wires, until it is flush with the end of the extrusion. Then secure using the provided screws.

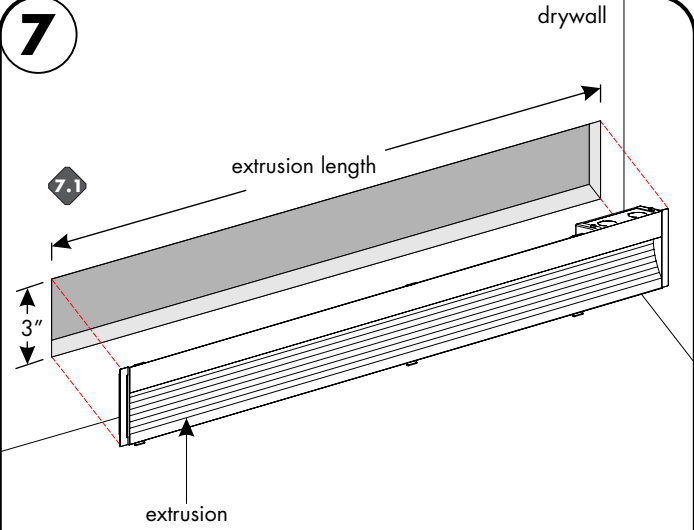
5.2 Use diagram above to determine spring clip location and then install properly. Secure using the provided screws.

6



6.1 Align an endcap to each end of the extrusion, then secure using the provided screws.

7



7.1 Make a drywall cut out for the extrusion. Cut a rectangle 3.00" wide depending on the length of your extrusion.

Wall + Channel extrusion - Installation Instructions

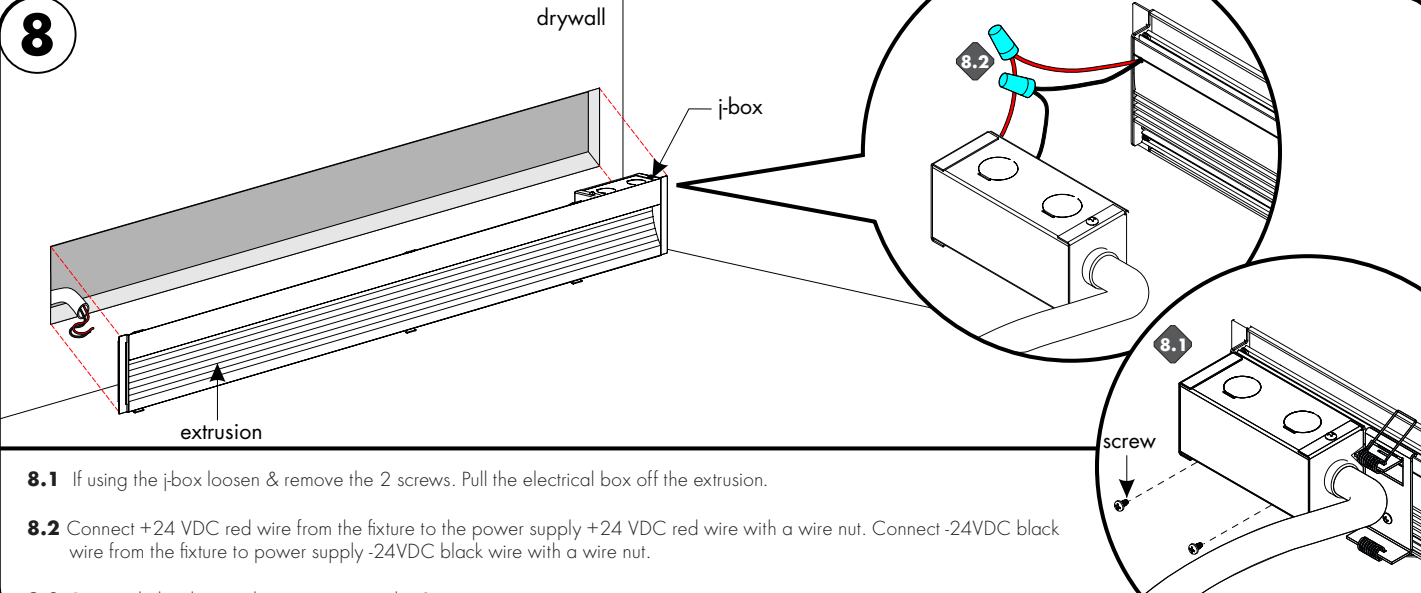
Models WPC-XX

Please read all instructions prior to installation and keep for future reference!

1. Product to be installed by a qualified electrician.
2. Prior to installation ensure power is off at fuse box to prevent electrical shock.

Page 3 of 3

8

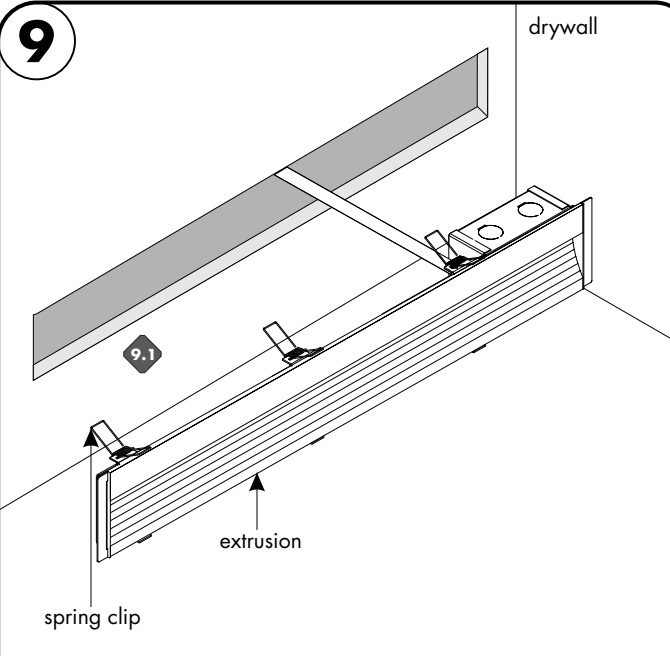


8.1 If using the j-box loosen & remove the 2 screws. Pull the electrical box off the extrusion.

8.2 Connect +24 VDC red wire from the fixture to the power supply +24 VDC red wire with a wire nut. Connect -24VDC black wire from the fixture to power supply -24VDC black wire with a wire nut.

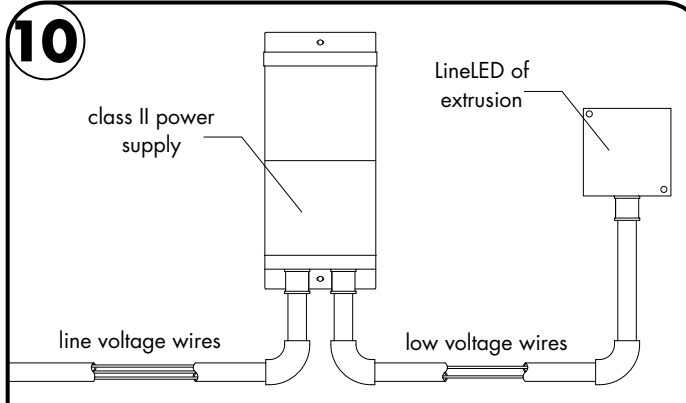
8.3 Re-attach the j-box to th extrusion using the 2 screws.

9



9.1 Flip the spring clips back, then fit inside the drywall opening. Followed by pushing the fixture inside the opening till the clips snap into place.

10



10.1 Ensure the correct (wattage & voltage) power supply is used to power LineLED. Then proceed to connect LineLED wires from extrusion to power supply. For more information please refer to power supply and LineLED wiring instructions.